

# Paper Feed Unit Type 1000 (G389)

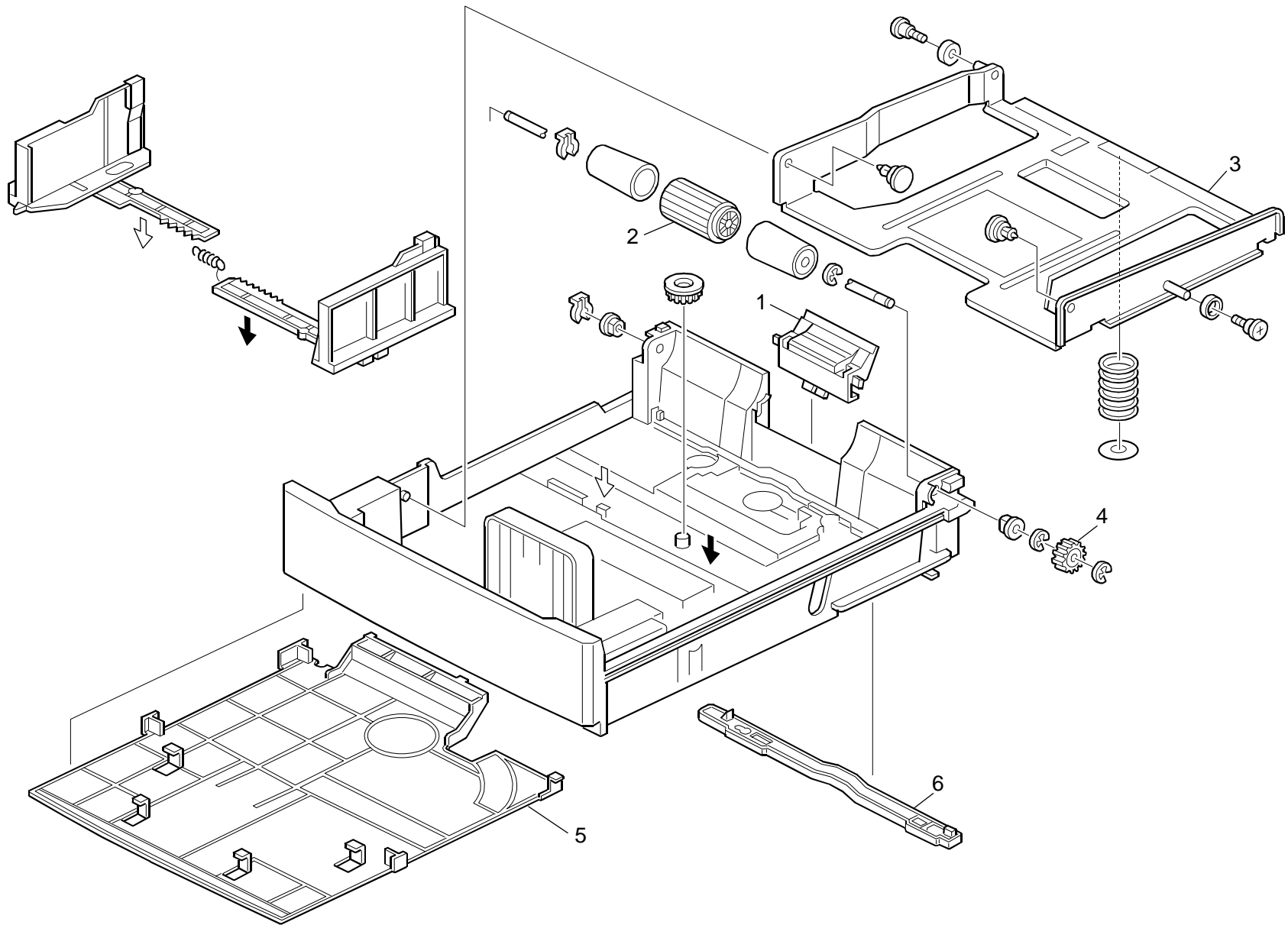
**Paper Feed Unit Type 1000 (G389)**

**PARTS CATALOG**

This catalog gives the numbers and names of parts on this machine.

1.Paper Feed Unit 1 (G389)..... 2  
2.Paper Feed Unit 2 (G389)..... 4  
**Parts Index** ..... **7**

# 1.Paper Feed Unit 1 (G389)

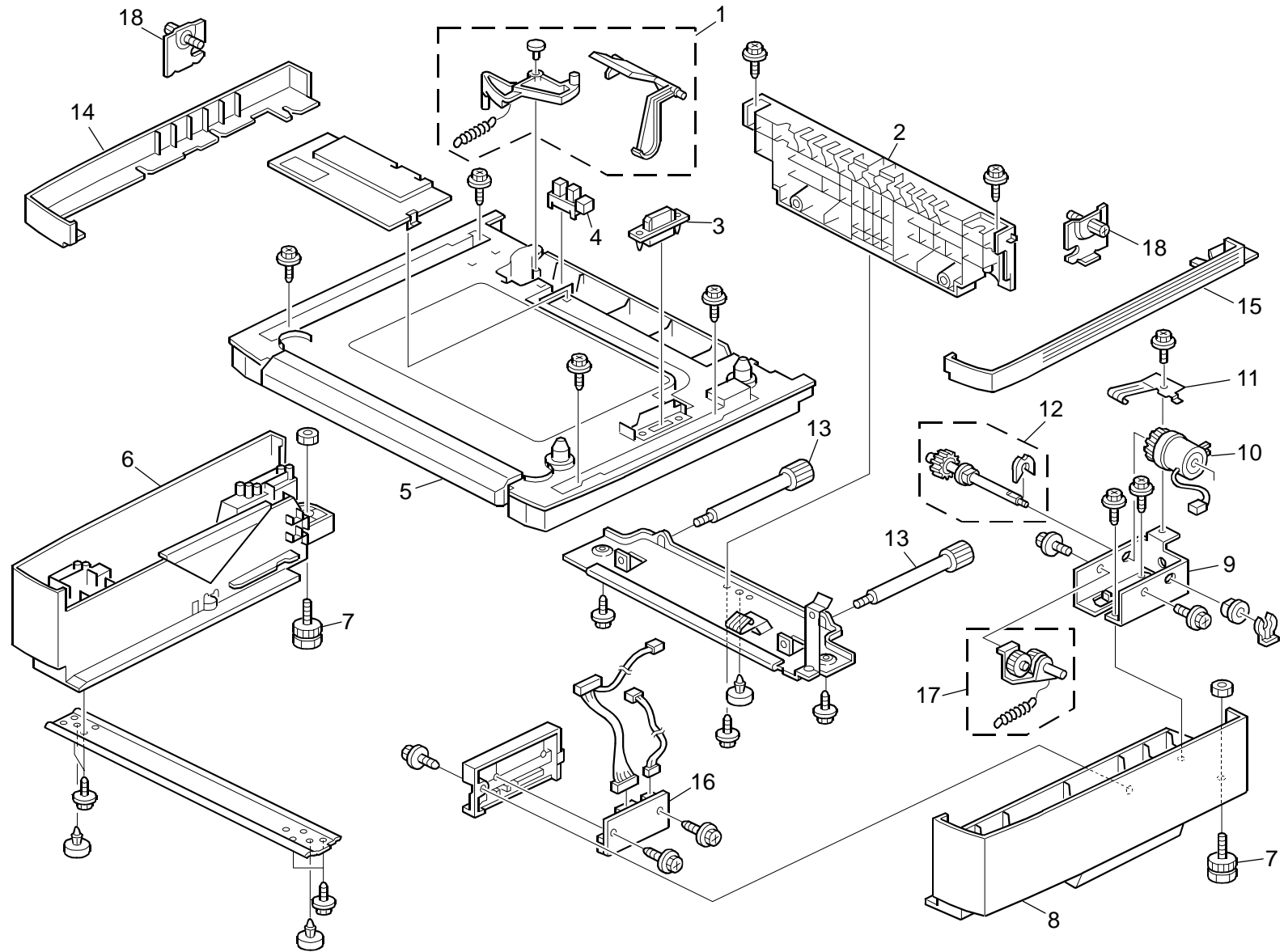


### 1.Paper Feed Unit 1 (G389)

Index No.	Part No.	Description	Q'ty Per Assembly
1	V128 540	Separator Pad	1
2	V128 539	Paper Feed Roller	1
3	V128 549	Cassette Base	1
4	V128 548	Cassette Gear	1
5	V128 550	Cassette Back Cover	1
6	V128 551	Cassette Lever	1

Index No.	Part No.	Description	Q'ty Per Assembly
-----------	----------	-------------	-------------------

## 2.Paper Feed Unit 2 (G389)



## 2.Paper Feed Unit 2 (G389)

Index No.	Part No.	Description	Q'ty Per Assembly
1	V128 542	Tray Empty Linkage	1
2	V128 536	Rear Cover	1
3	V128 545	Communication Connector	1
4	V128 531	Tray Empty Sensor	1
5	V128 544	Top Cover	1
6	V128 538	Left Side Cover	1
7	V128 547	Stabilizing Foot Kit	2
8	V128 537	Right Side Cover	1
9	V128 533	Paper Feed Ass'y	1
10	V128 534	Paper Feed Clutch	1
11	V128 543	Ground Plate	1
12	V128 541	Paper Feed Drive	1
13	V128 546	Stabilizing Stud Kit	1
14	V128 553	Left Side Cover (U)	1
15	V128 552	Right Side Cover (U)	1
16	V128 532	Paper Size Sensor	1
17	V128 535	Drive Gear Ass'y	1
18	V128 544	Top Cover	2

Index No.	Part No.	Description	Q'ty Per Assembly

# Parts Index

## Parts Index

Part No.	Description	Page and Index No.
V128 531	Tray Empty Sensor	5 - 4
V128 532	Paper Size Sensor	5 - 16
V128 533	Paper Feed Ass'y	5 - 9
V128 534	Paper Feed Clutch	5 - 10
V128 535	Drive Gear Ass'y	5 - 17
V128 536	Rear Cover	5 - 2
V128 537	Right Side Cover	5 - 8
V128 538	Left Side Cover	5 - 6
V128 539	Paper Feed Roller	3 - 2
V128 540	Separator Pad	3 - 1
V128 541	Paper Feed Drive	5 - 12
V128 542	Tray Empty Linkage	5 - 1
V128 543	Ground Plate	5 - 11
V128 544	Top Cover	5 - 5
V128 544	Top Cover	5 - 18
V128 545	Communication Connector	5 - 3
V128 546	Stabilizing Stud Kit	5 - 13
V128 547	Stabilizing Foot Kit	5 - 7
V128 548	Cassette Gear	3 - 4
V128 549	Cassette Base	3 - 3
V128 550	Cassette Back Cover	3 - 5
V128 551	Cassette Lever	3 - 6
V128 552	Right Side Cover (U)	5 - 15
V128 553	Left Side Cover (U)	5 - 14

Part No.	Description	Page and Index No.